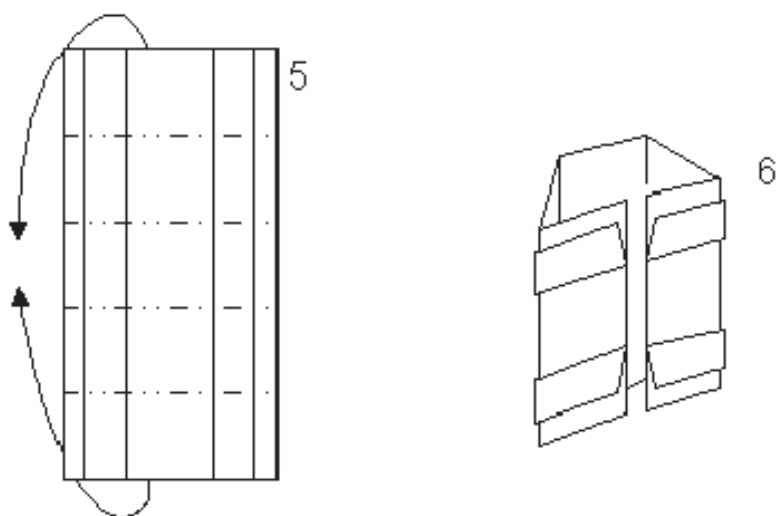
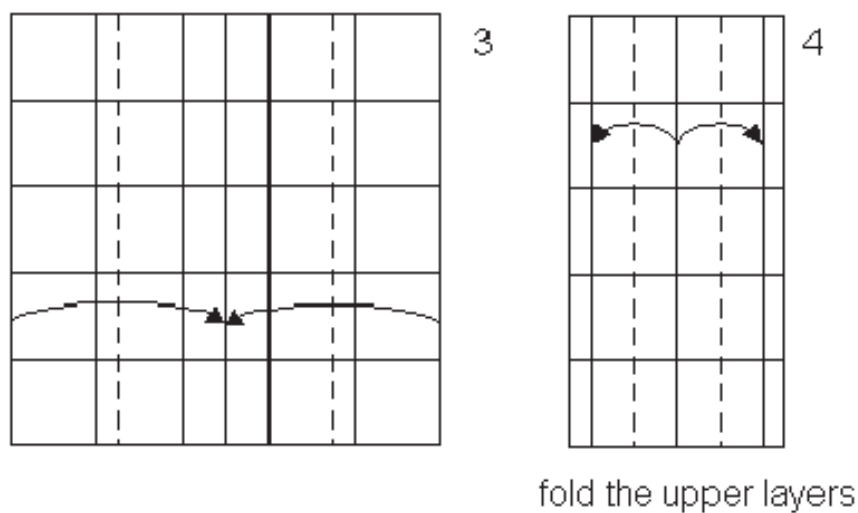
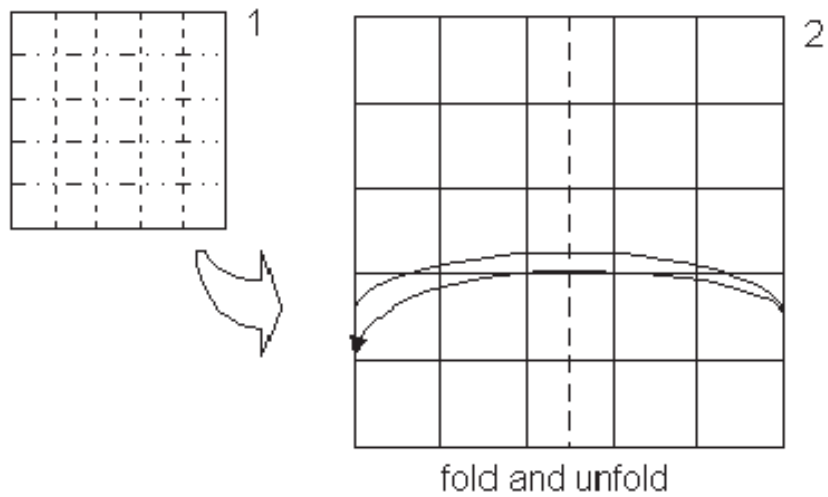
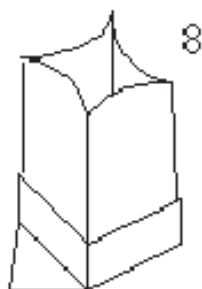
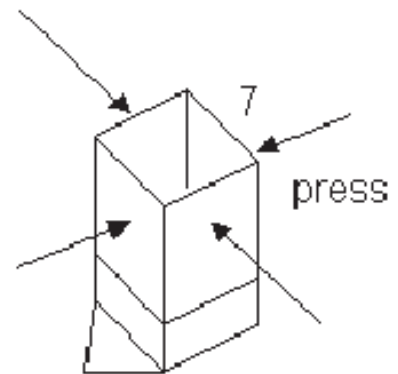
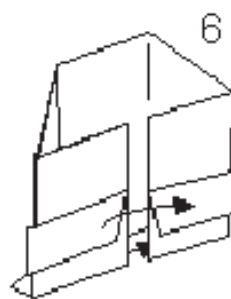
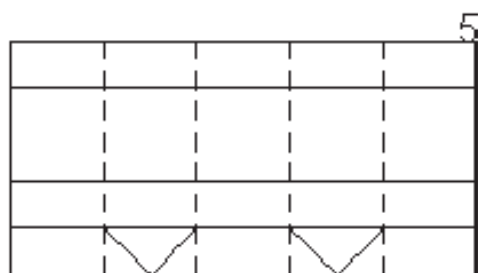
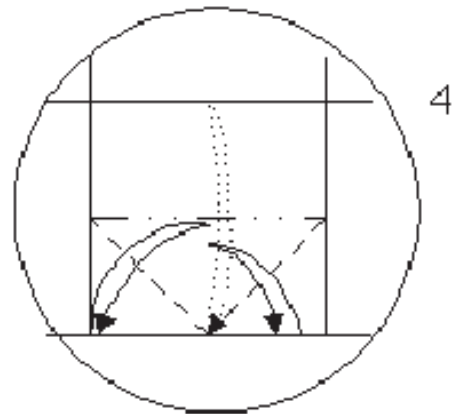
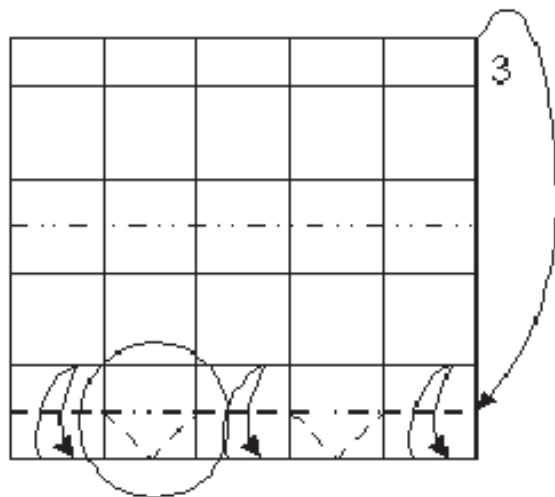
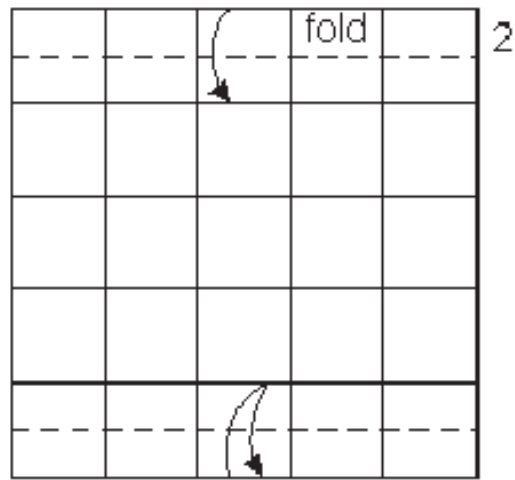
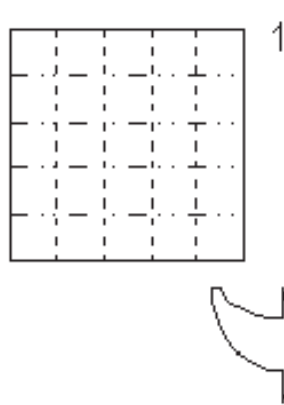


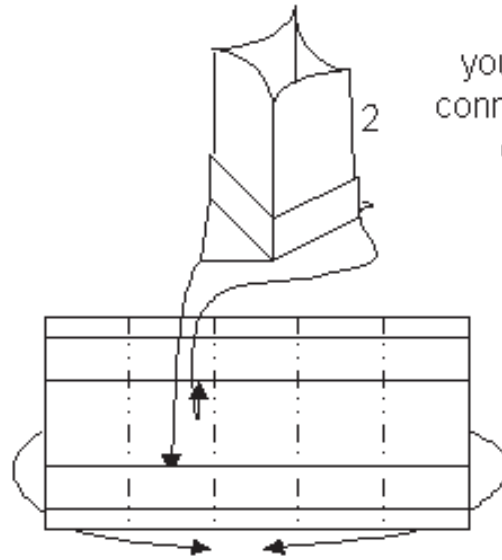
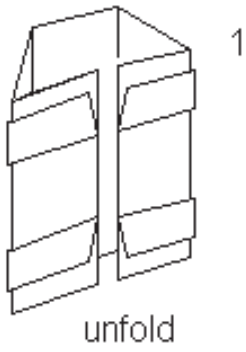
construction system Version 2.1

connector part 1



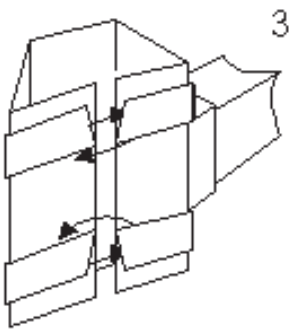
connector part 2



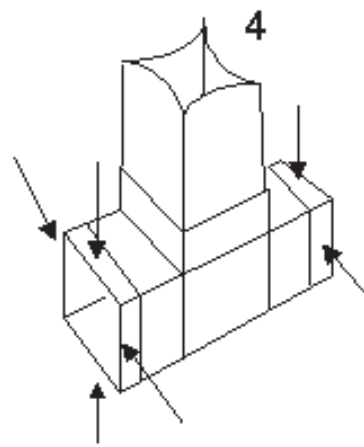


you can connect four
connectors part 2 to one
connector part 1

fold
again
and ...



...connect
the ends



push

the struts

